

Introduction

Introduction

More than 11 years engineering activities in consulting, manufacturing & installing of control, M.V. & L.V. panels, cable tray & cable ladder introduce *Faramin Tableau Co* to switchgear manufacturing industries.

It is our glory to give service to petrochemical industries, electricity distribution companies and many of industrial factories in designing and manufacturing of panels, cable tray, cable ladder and support systems.

Now this company tries to take a beneficial place in switchgear manufacturing industry by the best quality & quantity development and using the best equipments in electrical panels.

This company is honored to give services to industrial center in manufacturing of electrical panels, cable tray, & cable ladder.



Factory

FARAMIN TABLEAU CO.



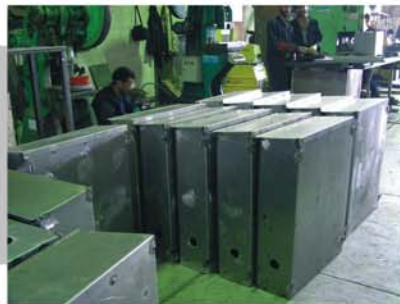
Design & Engineering Unit

1



Metal Work Unit

2



Paint Unit

3



Busbar Work Unit

4



FARAMIN TABLEAU CO.



Wiring System



5

Q.C.



6

Packaging and Marking



7

Loading



8

FARAMIN TABLEAU CO.



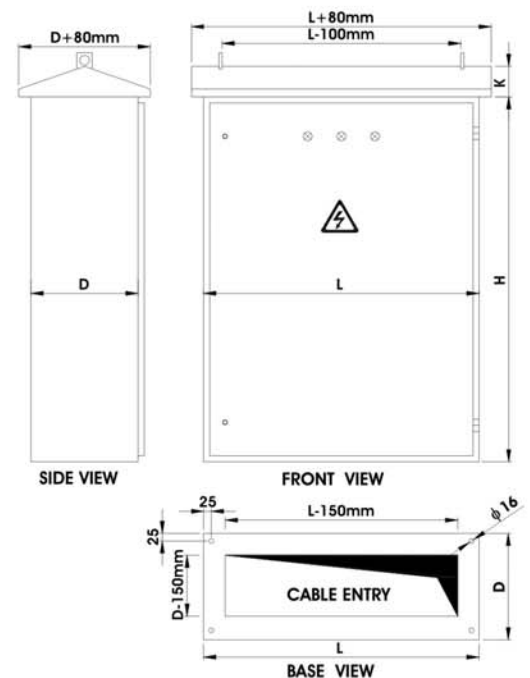
OUTDOOR PANEL- FREE STANDING



CODE	DIMENSION (mm)			
	L	H	D	K
FT/OP-FS-101	1200	1000	650	140
FT/OP-FS-102	1200	1000	500	140
FT/OP-FS-103	950	1000	650	110
FT/OP-FS-104	900	1000	500	110
FT/OP-FS-105	600	800	500	110
FT/OP-FS-106	600	800	350	110

Technical Specification

- Rated Voltage : 400/230V
- Rated Current : Max. 1000A
- Frequency : 50Hz
- Rated Short Circuit Level : Minimum 25kA/1sec.
- Rated Insulation Level : 2500V (1 Minute)
- Standard : According to IEC 60439-1
- Type of Installation : Outdoor
- Mounting Type : Free Standing
- Enclosure : Steel Sheet(2mm Thickness)
- Protection Degree : IP 54 (According to IEC 60529)
- Painting : Electrostatic (RAL 7032,7044,6021)
- Cable Entry : Bottom
- Access : Front and Back
- Application : Distribution for Outdoor Substation
- Incoming : 250-1000A
- Outgoing : Max 4x250+160A Zavir & Pichaz



FARAMIN TABLEAU CO.

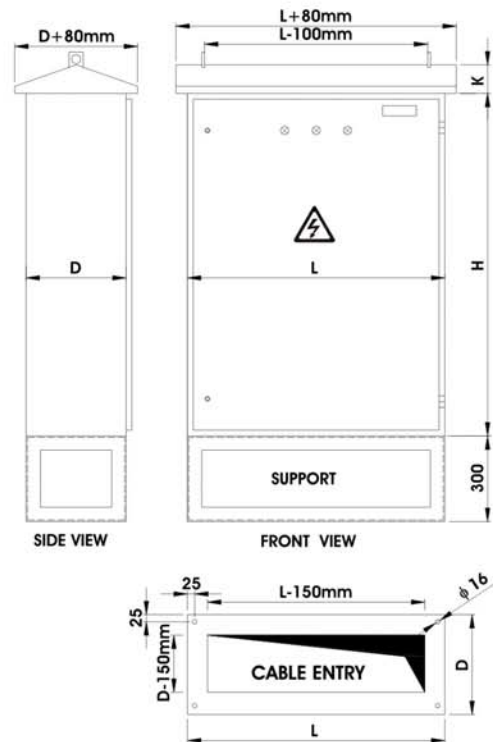
OUTDOOR PANEL- FREE STANDING ON SUPPORT



CODE	DIMENSION (mm)			
	L	H	D	K
FT/OP-FSS-201	1500	1200	300	110
FT/OP-FSS-202	900	1200	300	110
FT/OP-FSS-203	800	1000	300	110
FT/OP-FSS-204	600	800	300	110

Technical Specification

- Rated Voltage : 400/230V
- Rated Current : Max. 800A
- Frequency : 50Hz
- Rated Short Circuit Level : Minimum 25kA/1sec.
- Rated Insulation Level : 2500V (1 Minute)
- Standard : According to IEC 60439-1
- Type of Installation : Outdoor
- Mounting Type : Free Standing on Support
- Enclosure : Steel Sheet(2mm Thickness)
- Protection Degree : IP 54 (According to IEC 60529)
- Painting : Electrostatic (RAL 7032,7044,6021)
- Cable Entry : Bottom
- Access : Front
- Application : Distribution and Lighting



FARAMIN TABLEAU CO.

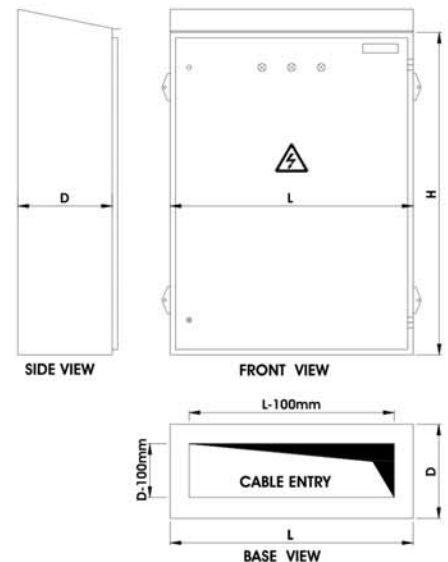
OUTDOOR PANEL – WALL MOUNTED



CODE	DIMENSION (mm)		
	L	H	D
FT/OP-WM-301	1500	1200	200
FT/OP-WM-302	1400	1100	200
FT/OP-WM-303	1300	1000	200
FT/OP-WM-304	1200	900	200
FT/OP-WM-305	900	1200	200
FT/OP-WM-306	800	1000	200
FT/OP-WM-307	700	900	200
FT/OP-WM-308	600	800	200
FT/OP-WM-309	500	700	200
FT/OP-WM-310	400	600	200
FT/OP-WM-311	300	400	200

Technical Specification

- Rated Voltage : 400/230V
- Rated Current : Max. 630A
- Frequency : 50Hz
- Rated Short Circuit Level : Minimum 15kA/1sec.
- Rated Insulation Level : 2500V (1 Minute)
- Standard : According to IEC 60439-1
- Type of Installation : Outdoor
- Mounting Type : Surface Mounted
- Enclosure : Steel Sheet(2mm Thickness)
- Protection Degree : IP 54 (According to IEC 60529)
- Painting : Electrostatic (RAL 7032,7044,6021)
- Cable Entry : Bottom
- Access : Front
- Application : Distribution , Lighting and Measurement



FARAMIN TABLEAU CO.

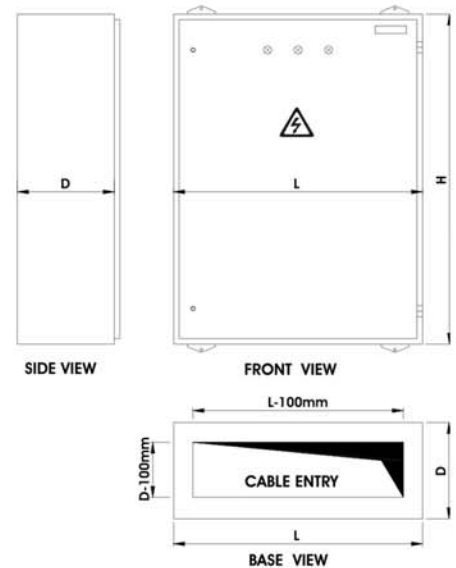
INDOOR PANEL – WALL MOUNTED



CODE	DIMENSION (mm)		
	L	H	D
FT/IP-WM-401	1500	1200	200
FT/IP-WM-402	1400	1100	200
FT/IP-WM-403	1300	1000	200
FT/IP-WM-404	1200	900	200
FT/IP-WM-405	900	1200	200
FT/IP-WM-406	800	1000	200
FT/IP-WM-407	700	900	200
FT/IP-WM-408	600	800	200
FT/IP-WM-409	500	700	200
FT/IP-WM-410	400	600	200
FT/IP-WM-411	300	400	200

Technical Specification

- Rated Voltage : 400/230V
- Rated Current : Max. 630A
- Frequency : 50Hz
- Rated Short Circuit Level : Minimum 15kA/1sec.
- Rated Insulation Level : 2500V (1 Minute)
- Standard : According to IEC 60439-1
- Type of Installation : Indoor
- Mounting Type : Surface Mounted
- Enclosure : Steel Sheet(2mm Thickness)
- Protection Degree : IP 42 (According to IEC 60529)
- Painting : Electrostatic (RAL 7032,7044,6021)
- Cable Entry : Bottom and Top
- Access : Front
- Application : Distribution and Lighting



FARAMIN TABLEAU CO.

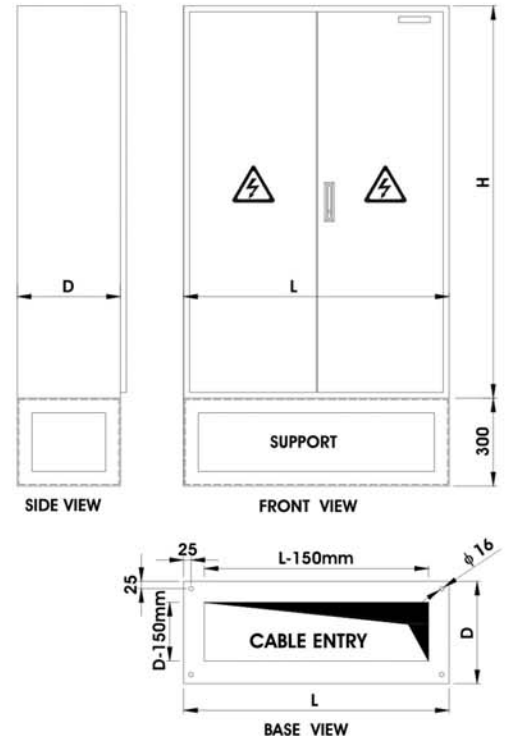
INDOOR PANEL - FREE STANDING ON SUPPORT



CODE	DIMENSION (mm)			
	L	H	D	K
FT/IP-FSS-501	1500	1200	300	110
FT/IP-FSS-502	900	1200	300	110
FT/IP-FSS-503	800	1000	300	110
FT/IP-FSS-504	600	800	300	110

Technical Specification

- Rated Voltage : 400/230V
- Rated Current : Max. 800A
- Frequency : 50Hz
- Rated Short Circuit Level : Minimum 15kA/1sec.
- Rated Insulation Level : 2500V (1 Minute)
- Standard : According to IEC 60439-1
- Type of Installation : Indoor
- Mounting Type : Free Standing on Support
- Enclosure : Steel Sheet(2mm Thickness)
- Protection Degree : IP 42 (According to IEC 60529)
- Painting : Electrostatic (RAL 7032,7044,6021)
- Cable Entry : Bottom
- Access : Front
- Application : Distribution , PLC and Control



FARAMIN TABLEAU CO.

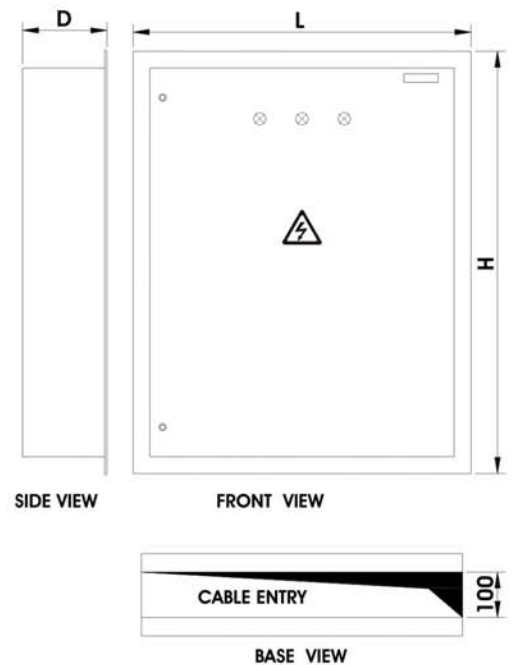
INDOOR PANEL – FLASH MOUNTED



CODE	DIMENSION (mm)		
	L	H	D
FT/IP-FM-601	900	1200	200
FT/IP-FM-602	800	1000	200
FT/IP-FM-603	700	900	200
FT/IP-FM-604	600	800	200
FT/IP-FM-605	500	700	200
FT/IP-FM-606	400	600	200
FT/IP-FM-607	300	400	200

Technical Specification

- Rated Voltage : 400/230V
- Rated Current : Max. 250A
- Frequency : 50Hz
- Rated Short Circuit Level : Minimum 15kA/1sec.
- Rated Insulation Level : 2500V (1 Minute)
- Standard : According to IEC 60439-1
- Type of Installation : Indoor
- Mounting Type : Flash Mounted
- Enclosure : Steel Sheet(2mm Thickness)
- Protection Degree : IP 31 (According to IEC 60529)
- Painting : Electrostatic (RAL 7032,7044,6021)
- Cable Entry : Bottom and Top
- Access : Front
- Application : Distribution and Lighting



FARAMIN TABLEAU CO.

LOCAL CONTROL PANEL



Technical Specification

- Rated Voltage : 230V
- Rated Current : Max. 40A
- Frequency : 50Hz
- Rated Short Circuit Level : Minimum 10kA/1sec.
- Rated Insulation Level : 2500V (1 Minute)
- Standard : According to IEC 60439-1
- Type of Installation : Indoor
- Mounting Type : Free Standing
- Enclosure : Steel Sheet(2mm Thickness)
- Protection Degree : IP 42 (According to IEC 60529)
- Painting : Electrostatic (RAL 7032,7044,6021)
- Cable Entry : Bottom
- Access : Front
- Application : Local Control



FARAMIN TABLEAU CO.

COUNTER PANEL



Technical Specification

- Rated Voltage : 400/230V
- Rated Current : Max. 400A
- Frequency : 50Hz
- Rated Short Circuit Level : Minimum 15kA/1sec.
- Rated Insulation Level : 2500V (1 Minute)
- Standard : According to IEC 60439-1
- Type of Installation : Indoor
- Mounting Type : Surface Mounted
- Enclosure : Steel Sheet(2mm Thickness)
- Protection Degree : IP 42 (According to IEC 60529)
- Painting : Electrostatic (RAL 7032,7044,6021)
- Cable Entry : Bottom and Top
- Access : Front
- Application : kW and kVAR Measurement

FARAMIN TABLEAU CO.

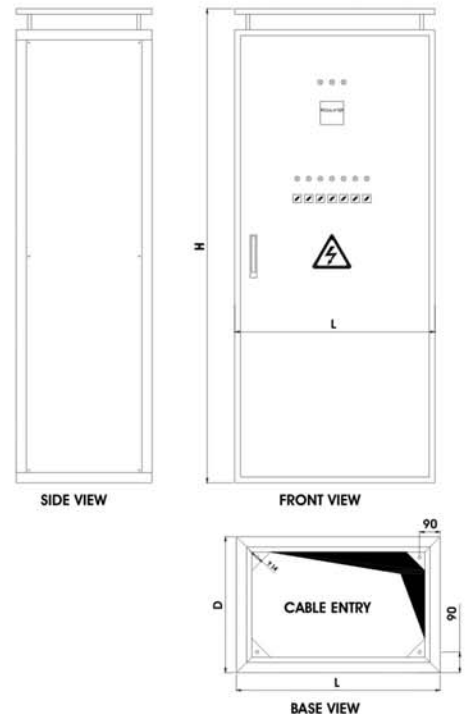
CAPACITOR BANK



CODE	DIMENSION (mm)		
	L	H	D
FT/CB-FS-1001	900	2100	800
FT/CB-FS-1002	800	2100	800
FT/CB-FS-1003	900	2100	600
FT/CB-FS-1004	800	2100	600
FT/CB-FS-1005	600	2100	600

Technical Specification

- Rated Voltage : 400/230V
- Rated Current : Max. 800A
- Capacity : Max. 400kVAR
- Frequency : 50Hz
- Rated Short Circuit Level : Minimum 25kA/1sec.
- Rated Insulation Level : 2500V (1 Minute)
- Standard : According to IEC 60439-1
- Type of Installation : Indoor
- Mounting Type : Free Standing
- Enclosure : Steel Sheet(2mm Thickness)
- Protection Degree : IP 31 (According to IEC 60529)
- Painting : Electrostatic (RAL 7032,7044,6021)
- Cable Entry : Bottom
- Access : Front and Back
- Application : Capacitor Bank



FARAMIN TABLEAU CO.

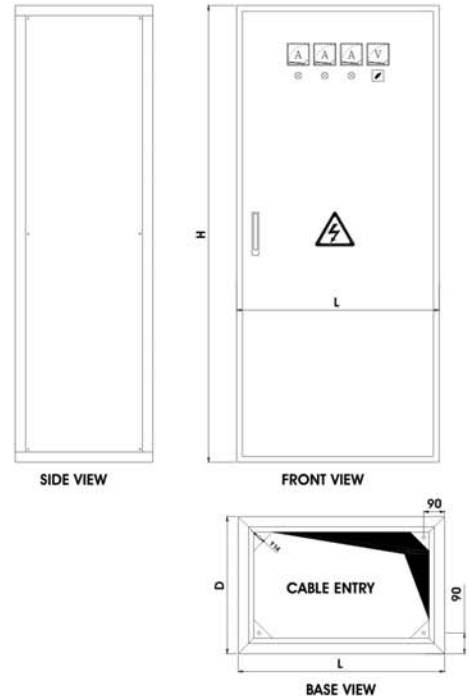
INDOOR PANEL - FREE STANDING



CODE	DIMENSION (mm)		
	L	H	D
FT/IP-FS-1001	900	2000	800
FT/IP-FS-1002	800	2000	800
FT/IP-FS-1003	900	2000	600
FT/IP-FS-1004	800	2000	600
FT/IP-FS-1005	600	2000	600

Technical Specification

- Rated Voltage : 400/230V
- Rated Current : Max. 3200A
- Frequency : 50Hz
- Rated Short Circuit Level : Minimum 25kA/1sec.
- Rated Insulation Level : 2500V (1 Minute)
- Standard : According to IEC 60439-1
- Type of Installation : Indoor
- Mounting Type : Free Standing
- Enclosure : Steel Sheet(2mm Thickness)
- Protection Degree : IP 42 (According to IEC 60529)
- Painting : Electrostatic (RAL 7032,7044,6021)
- Cable Entry : Bottom
- Access : Front and Back
- Application : Distribution and Marshaling



FARAMIN TABLEAU CO.

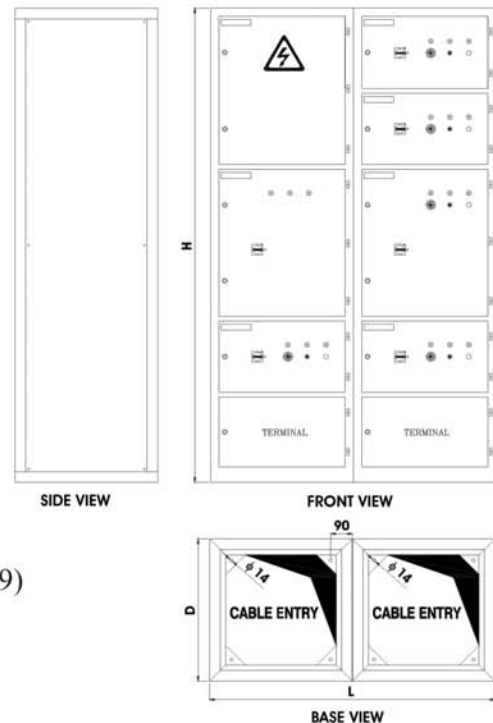
MODULAR PANEL



CODE	DIMENSION (mm)		
	L	H	D
FT/MP-FS-1101	600	2000	600
FT/MP-FS-1102	1200	2000	600
FT/MP-FS-1103	1800	2000	600

Technical Specification

- Rated Voltage : 400/230V
- Rated Current : Max. 800A
- Frequency : 50Hz
- Rated Short Circuit Level : Minimum 15kA/1sec.
- Rated Insulation Level : 2500V (1 Minute)
- Standard : According to IEC 60439-1
- Type of Installation : Indoor / Outdoor
- Mounting Type : Free Standing
- Enclosure : Steel Sheet(2mm Thickness)
- Protection Degree : IP 42 / IP54 (According to IEC 60529)
- Painting : Electrostatic (RAL 7032,7044,6021)
- Cable Entry : Bottom
- Access : Front and Back
- Application : Fi• Type Motor Control Center Panel



FARAMIN TABLEAU CO.

FTP1200

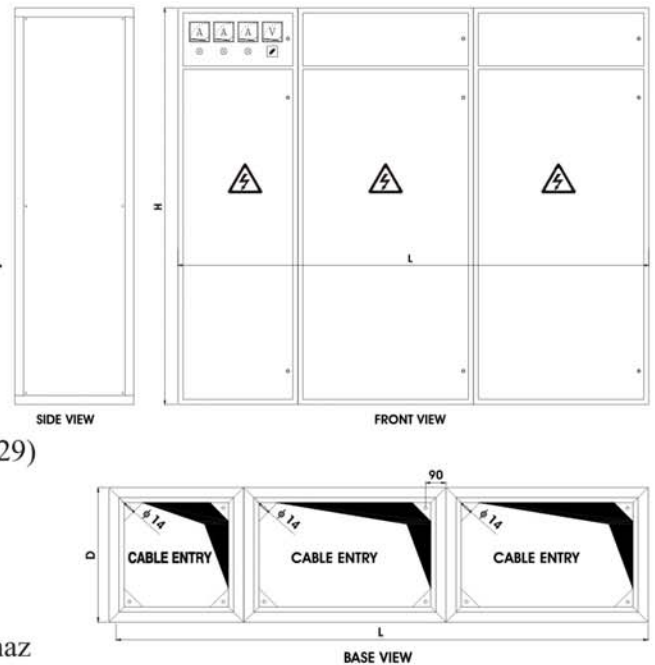
INDOOR SUBSTATION PANEL



CODE	DIMENSION (mm)		
	L	H	D
FT/ISP-FS-1101	2400	2000	600

Technical Specification

- Rated Voltage : 400/230V
- Rated Current : Max. 3200A
- Frequency : 50Hz
- Rated Short Circuit Level : Minimum 35kA/1sec.
- Rated Insulation Level : 2500V (1 Minute)
- Standard : According to IEC 60439-1
- Type of Installation : Indoor
- Mounting Type : Free Standing
- Enclosure : Steel Sheet(2mm Thickness)
- Protection Degree : IP 42 (According to IEC 60529)
- Painting : Electrostatic (RAL 7032,7044,6021)
- Cable Entry : Bottom
- Access : Front and Back
- Application : Distribution for Indoor Substation
- Incoming : 800 - 2500A
- Outgoing : Max 12x250+2x160A Zavir & Pichaz



FARAMIN TABLEAU CO.

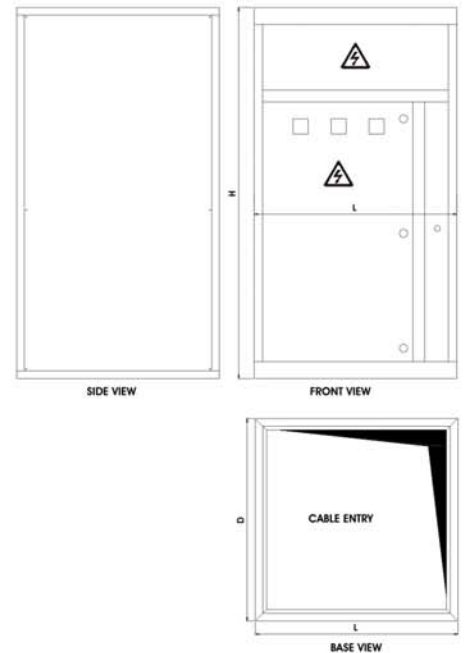
MEDIUM VOLTAGE PANEL- FREE STANDING



CODE	DIMENSION (mm)		
	L	H	D
FT/MVP-FS-1301	1200	2200	1200

Technical Specification

- Rated Voltage : 24kV
- Rated Current : Max. 1250A
- Frequency : 50Hz
- Rated Short Circuit Level : Minimum 16kA/1sec.
- Rated Insulation Level : 41000V (1 Minute)
- Standard : According to IEC 60439-1
- Type of Installation : Indoor
- Mounting Type : Free Standing
- Enclosure : Steel Sheet(3mm Thickness)
- Protection Degree : IP 31 (According to IEC 60529)
- Painting : Electrostatic (RAL 7032,7044,6021)
- Cable Entry : Bottom
- Access : Front and Back
- Application : Medium Voltage Circuit Breaker,
Load break Switch & Measurement



FARAMIN TABLEAU CO.

Certificates

IMO
Formazione

**ATTESTATO
CERTIFICATE**
IR-TC/01984

questo attestato è rilasciato a
this is to confirm that

Quality Control Unit of Faramin Tableau Co.

per la sua proficua partecipazione al corso
has successfully completed the course
"ISO 9001:2000 Internal Auditor Training Course"

Tehran-Iran

tenuta a
place

nel/i giorno/i
date Nov.29-Dec. 01, 2003

data
date Dec.16, 2003

i docenti
the teachers
M. Hajimohammadi

Authorizing Signature

IMO
Formazione

**ATTESTATO
CERTIFICATE**
IR-TC/02184

questo attestato è rilasciato a
this is to confirm that

Quality Control Unit of Faramin Tableau Co.

per la sua proficua partecipazione al corso
has successfully completed the course
"Statistical Process Control Training Course"

Tehran-Iran

tenuta a
place

nel/i giorno/i
date Jan 31- Feb 1, 2003

data
date Feb.17, 2004

i docenti
the teachers
M. Hajimohammadi

Authorizing Signature

IMO
Formazione

**ATTESTATO
CERTIFICATE**
IR-TC/02226

questo attestato è rilasciato a
this is to confirm that

Quality Control Unit of Faramin Tableau Co.

per la sua proficua partecipazione al corso
has successfully completed the course
"Cost of Quality Training Course"

Tehran-Iran

tenuta a
place

nel/i giorno/i
date Feb. 3-4, 2004

data
date Feb. 25, 2004

i docenti
the teachers
H. Forouzanfar

Authorizing Signature

IMO
Formazione

**ATTESTATO
CERTIFICATE**
IR-TC/01927

questo attestato è rilasciato a
this is to confirm that

Quality Control Unit of Faramin Tableau Co.

per la sua proficua partecipazione al corso
has successfully completed the course
"General Quality Control Training Course"

Tehran-Iran

tenuta a
place

nel/i giorno/i
date Nov.23-24, 2003

data
date Dec.8, 2003

i docenti
the teachers
K. Tayebi

Authorizing Signature

FARAMIN TABLEAU CO.

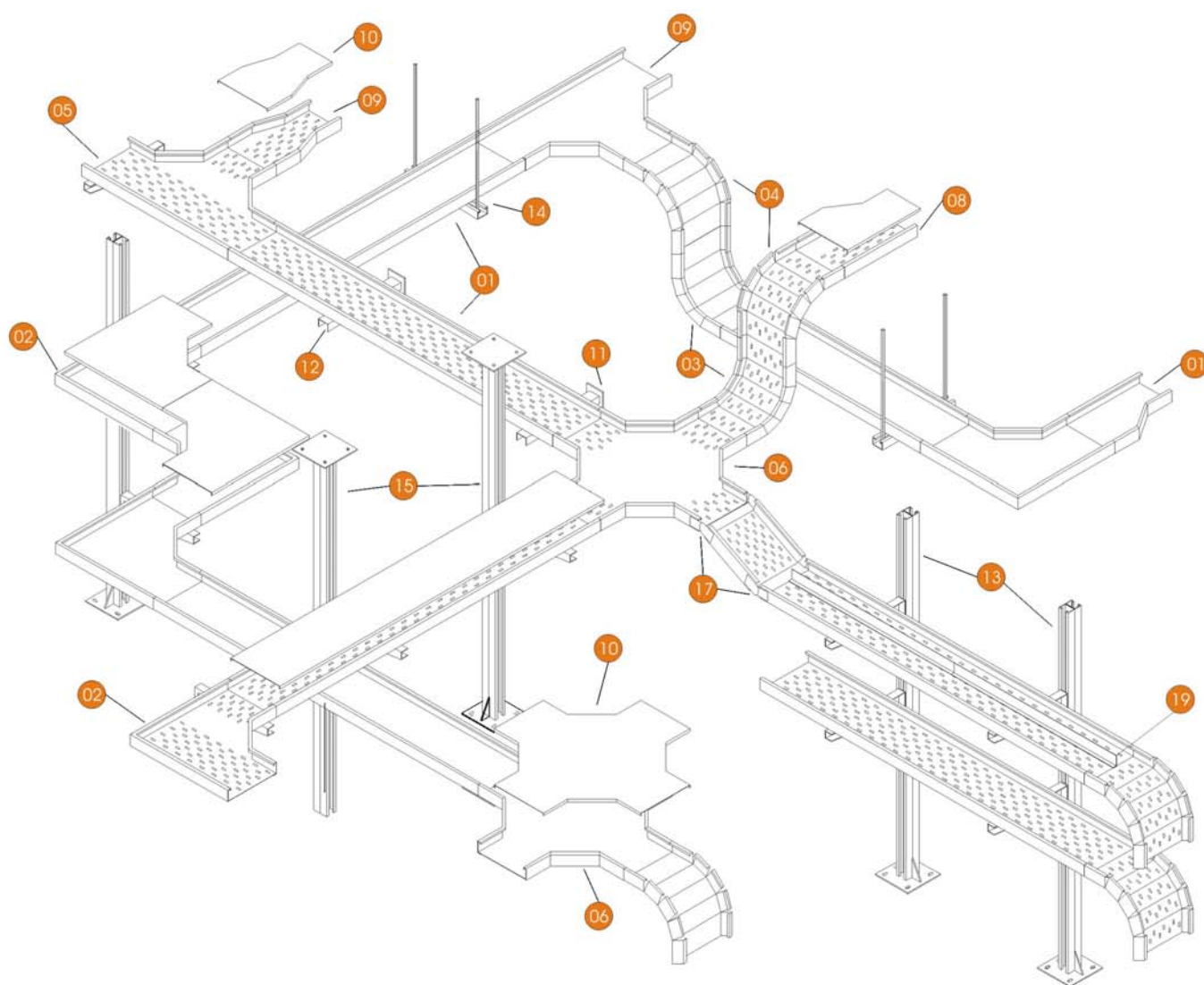
FARAMIN TABLEAU CO.



Technical Information

FARAMIN TABLEAU CO.

Cable Tray & Ladder With Cover



FARAMIN TABLEAU CO.



Cable Tray & Ladder With Cover

- 1 Straight Piece (Cable Tray & Cable Duct)
- 2 Horizontal Bend 90° (Cable Tray & Cable Duct)
- 3 Inside Vertical Bend 90° (Cable Tray & Cable Duct)
- 4 Outside Vertical Bend 90° (Cable Tray & Cable Duct)
- 5 Equal Tee (Cable Tray & Cable Duct)
- 6 Equal Cross (Cable Tray & Cable Duct)
- 7 Right Hand Reducer (Cable Tray & Cable Duct)
- 8 Left Hand Reducer (Cable Tray & Cable Duct)
- 9 Concentric Reducer (Cable Tray & Cable Duct)
- 10 Cover For All Item (Cable Tray & Cable Duct)
- 11 Wall Mounted Bracket
- 12 Support Mounted Bracket
- 13 Rail Type Support
- 14 Pendant Support
- 15 Roof Mounted Support
- 16 Vertical Adjustable Coupler
- 17 Horizontal Adjustable Coupler
- 18 Straight Coupler
- 19 Divider

FARAMIN TABLEAU CO.



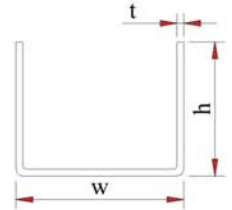
Cable Tray

Cable Tray

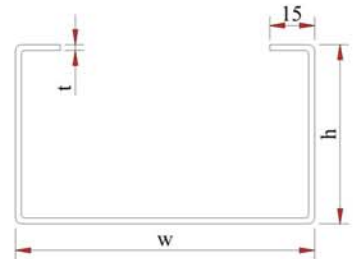
Cable Trays usually used for control and power cables (overall diameter 10 mm).
 Cable Trays width: 50 to 600 mm,
 Normal steel sheet thickness: 1.25, 1.5, 2 mm (according to table 1)

Cable Tray Section Type

-U Type Cable Tray
 (Usually for w=50mm)



-C Type Cable Tray



-UG Type Cable Tray

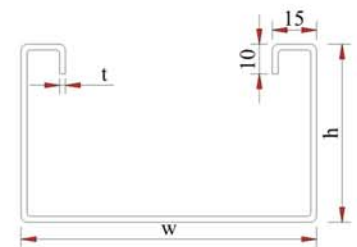


Table 1 - Normal Production of Cable Tray

Width (mm)	Height / Thickness (mm)											
	40			60			80			100		
	1.25	1.5	2	1.25	1.5	2	1.25	1.5	2	1.25	1.5	2
50	√	√	√	-	-	-	-	-	-	-	-	-
100	√	√	√	√	√	√	√	√	√	-	-	-
150	-	√	√	-	√	√	-	√	√	-	√	√
200	-	√	√	-	√	√	-	√	√	-	√	√
300	-	√	√	-	√	√	-	√	√	-	√	√
400	-	-	√	-	√	√	-	√	√	-	√	√
450	-	-	√	-	√	√	-	√	√	-	√	√
500	-	-	√	-	-	√	-	√	√	-	√	√
600	-	-	√	-	-	√	-	-	√	-	√	√

FARAMIN TABLEAU CO.

Cable Ladder

Cable Ladder

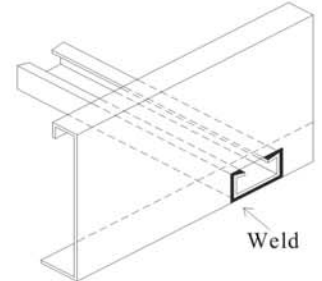
Cable Ladders Usually Used For Power Cables

Cable Ladders width: 150 to 900 mm

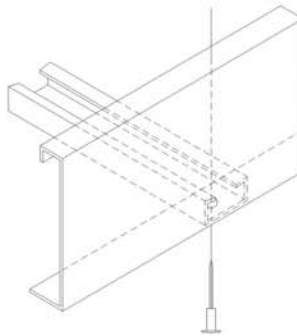
Normal steel sheet thickness: 2, 2.5 mm (according to table 2)

Cable Ladder Side & Rung Connection Type

-Welded Type



-Rivet Type



-Bolt & Nut Type

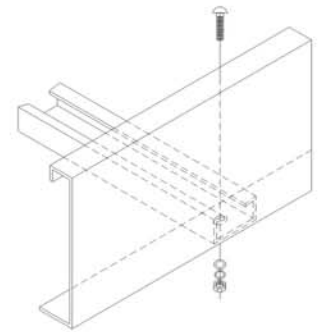


Table 2 - Normal Production of Cable Ladder

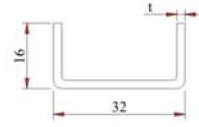
Width (mm)	Height / Thickness (mm)					
	100		110		150	
	2	2.5	2	2.5	2	2.5
150	√	-	√	-	-	-
200	√	-	√	-	√	-
300	√	-	√	-	√	-
400	√	-	√	-	√	-
450	√	-	√	-	√	-
500	√	-	√	-	√	-
600	√	√	√	-	√	-
700	√	√	√	√	√	-
800	√	√	√	√	√	√
900	√	√	√	√	√	√

FARAMIN TABLEAU CO.

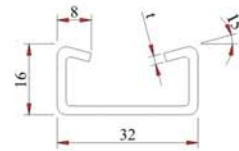
Rung Type

Cable Ladders Rung Type

-Light Duty Rung

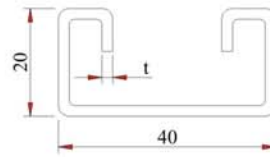


-Heavy Duty Rung



For Cable Shield Protection

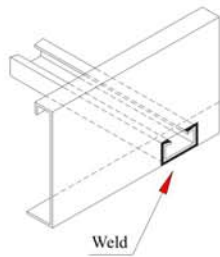
-Extra Heavy Duty Rung



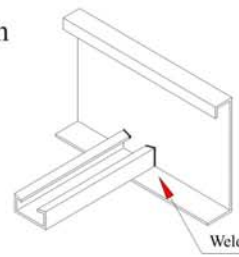
For W > 60mm Is Offered

Cable Ladder Rungs installation

With Side Punch



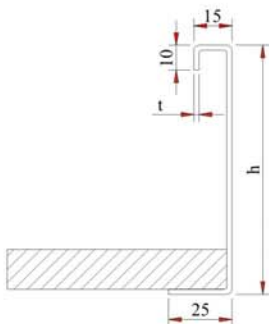
Without Side Punch



Cable Ladder Side Type

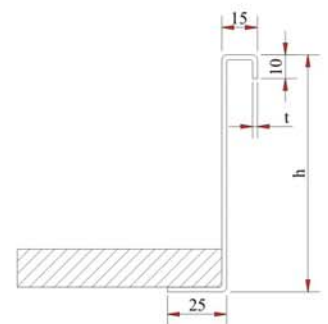
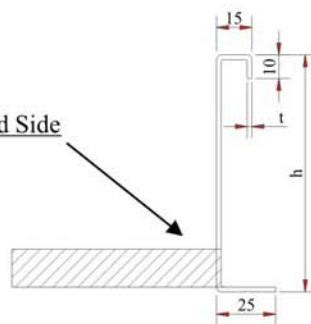
Cable Ladder Side type

Ladder Side Type I



Ladder Side Type II

With Punched Side



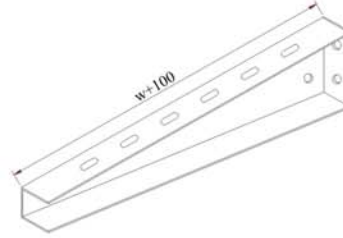
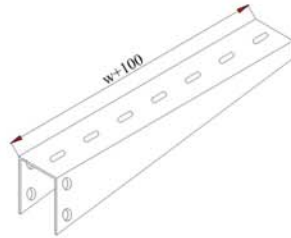
Cable ladder sides can be Product by UNP and IPE as client order.

FARAMIN TABLEAU CO.

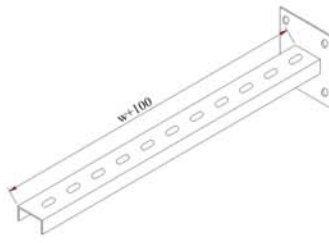
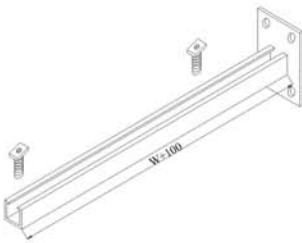
Bracket

Bracket

Support Mounted Bracket

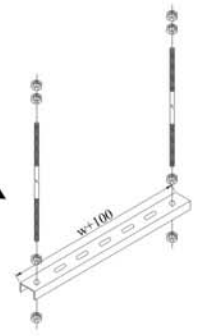


Wall Mounted Bracket



Pendant Type

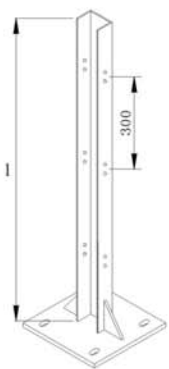
Reinforcing Steel Bar
D=10mm



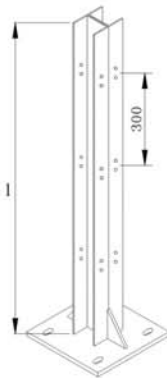
Supports

Supports

U Channel Support

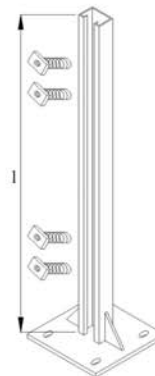


SINGLE CHANNEL

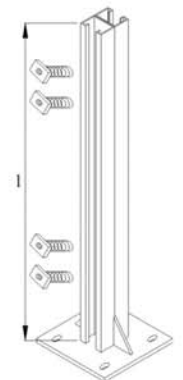


DUAL CHANNEL

UG Channel Support



SINGLE CHANNEL



DUAL CHANNEL

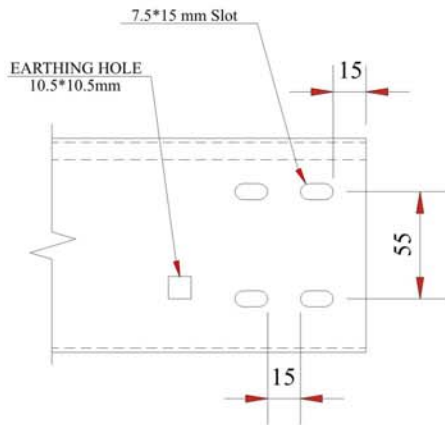
Head Plate



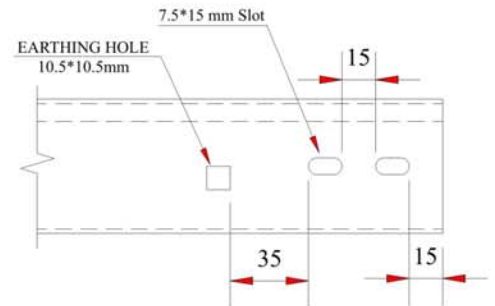
FARAMIN TABLEAU CO.

Side Punching

Typical Cable Ladder Side Punch

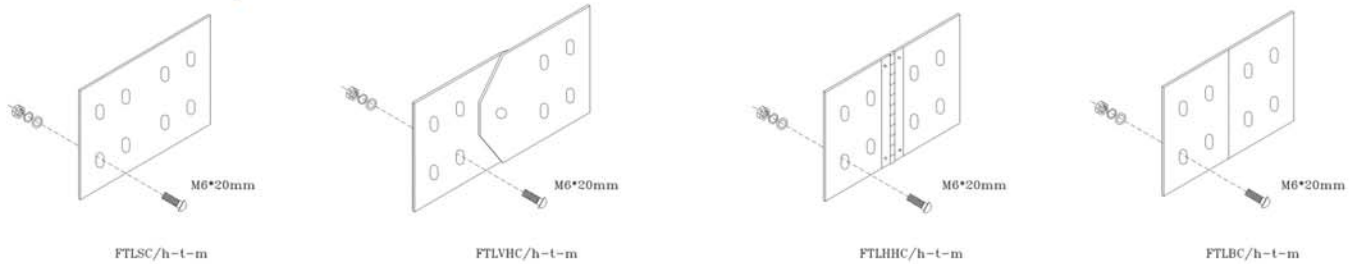


Typical Cable Tray Side Punch

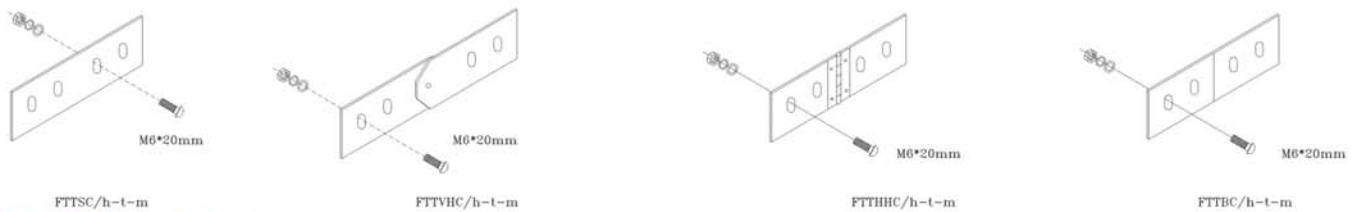


Straight Coupler & Jointing

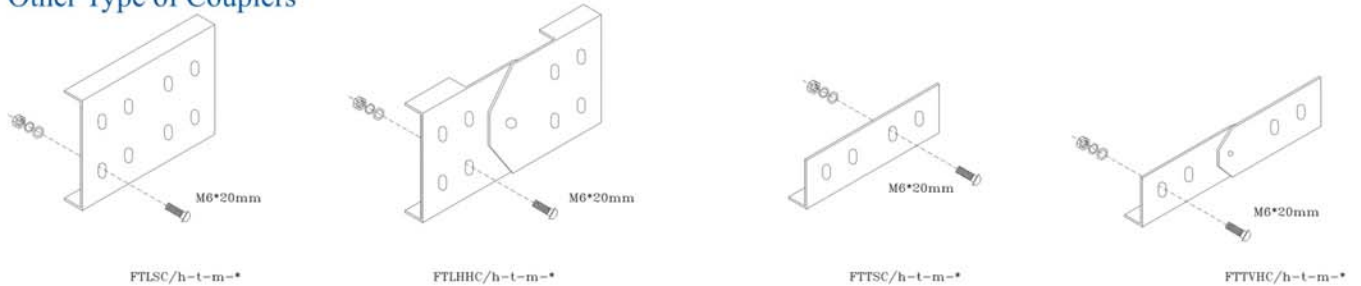
Cable Ladder Coupler



Cable Tray Couplers



Other Type of Couplers

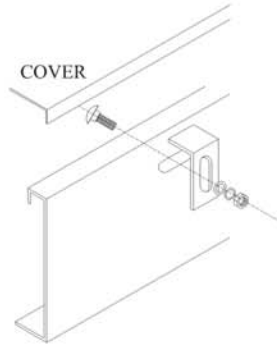


FARAMIN TABLEAU CO.

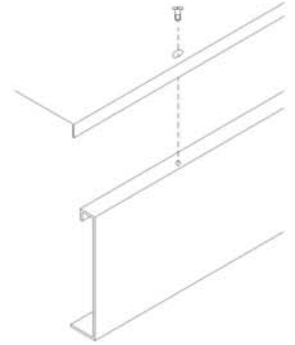
Covering Method

Covering Method

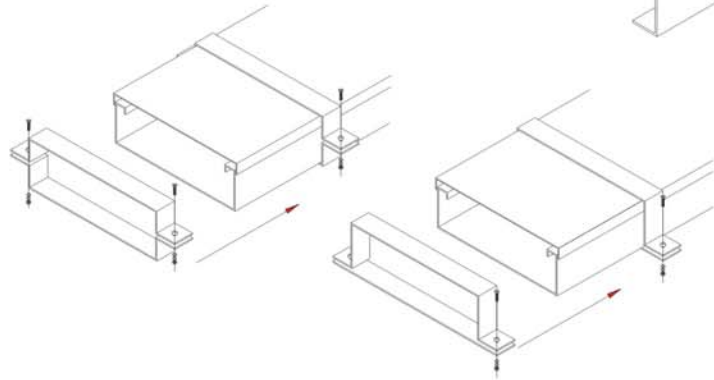
Clips Connection



Self Screw Connection



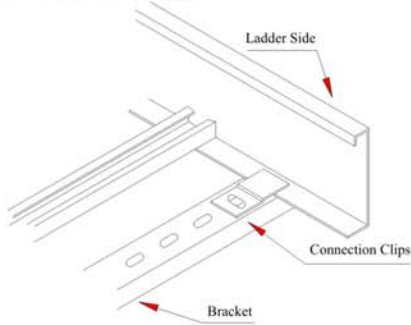
Omega Clamp Connection



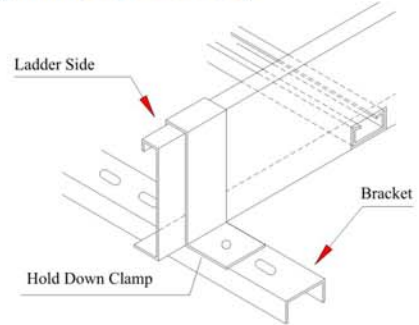
Cable Tray & Accessories Installation On Supports

Cable Tray & Accessories installation on supports

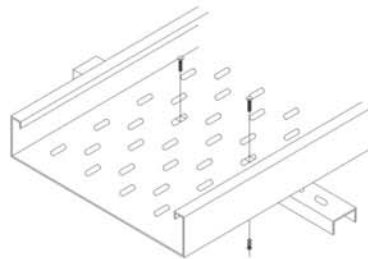
Connection Clip Type
(Cable Ladder Only)



Hold Down Clamp Type
(Cable Tray and Cable Ladder)



Bolt & Nut Jointing Type
(Cable Tray & Cable Ladder)



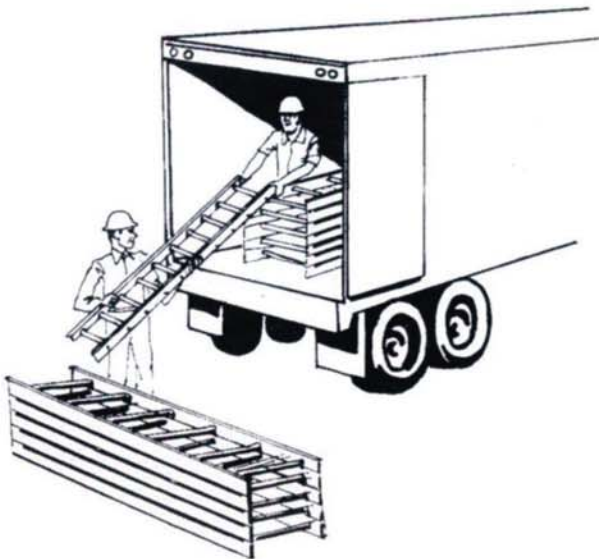
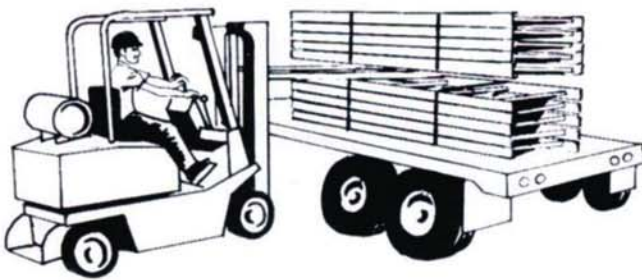
FARAMIN TABLEAU CO.

Caution

Caution:

Don't Use Ladder or support for people: cable tray is a mechanical support system for cable.

Loading & Unloading Cable Trays & Ladders



FARAMIN TABLEAU CO.

Abbreviation

Abbreviation

FT:	Faramin Tableau	m:	Material
L:	Ladder	w:	Width
T:	Tray	w1:	Incoming Width (Biggest Width)
CHB:	C Type Horizontal Bend	w2:	Outgoing Width (Smallest Width)
LHB:	L Type Horizontal Bend	h:	Height
IVB:	Inside Vertical Bend	l:	Length
OVB:	Outside Vertical Bend	t:	Thickness
AVB:	Adjustable Vertical Bend	r:	Radius
ET:	Equal Tee	rd:	Rung Distance
UT:	Unequal Tee	+c:	Cover
EC:	Equal Cross	+*:	No. of Bend Side (For Coupler:1 , 2)
UC:	Unequal Cross		
RR:	Right Hand Reducer		
LR:	Left Hand Reducer		
CR:	Concentric Reducer		
SC:	Straight Coupler		
VHC:	Vertical Hinged Coupler		
HHC:	Horizontal Hinged Coupler		
BC:	Bendable Coupler		
S:	Straight Piece		

Description

l:	2, 2.5, 3 m
w:	50, 100, 150, 200, 300, 400, 450, 500, 600 mm (For Cable Tray)
w:	150, 200, 300, 400, 450, 500, 600, 750, 900 mm (For Cable Ladder)
h:	40, 50, 60, 100, 110 mm
t:	1.25, 1.5, 2, 2.5 mm (For Cable Tray)
t:	2, 2.5 mm (For Cable Ladder)
r:	150, 300 mm (For Bending)
m:	PG: Pre Galvanized Carbon Steel Sheet HG: Hot Dip Galvanized After Fabrications SS: Stainless Steel Sheet AL: Aluminum Sheet

Example

FTLVOB/300-100-2-300-HG

Cable Ladder Outside Vertical Bend (Width=300mm, Height=100mm, Thickness=2mm, Bending Radius=300mm, Material=Hot Dip Galvanized)

FTTS/300-60-2000-2-PG+c

Cable Ladder Outside Vertical Bend (Width=300mm, Height=60mm, Thickness=2mm, Material=Pre Galvanized, With Cover)

FARAMIN TABLEAU CO.



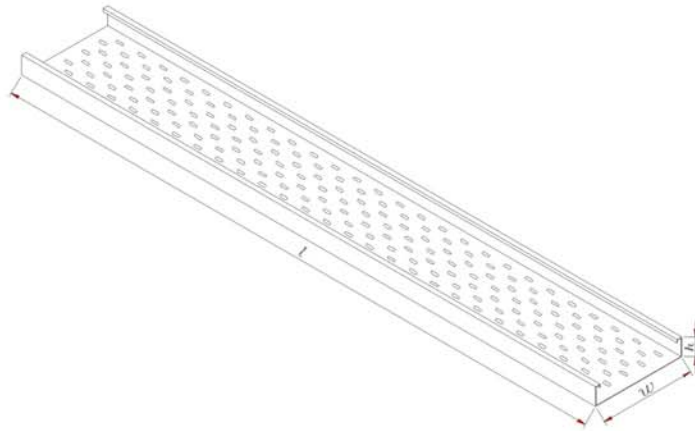
CABLE TRAY

Zagros Petrochemical Company
Mega methanol Plant – Assaluyeh

Cable Tray

Cable Tray Straight Piece

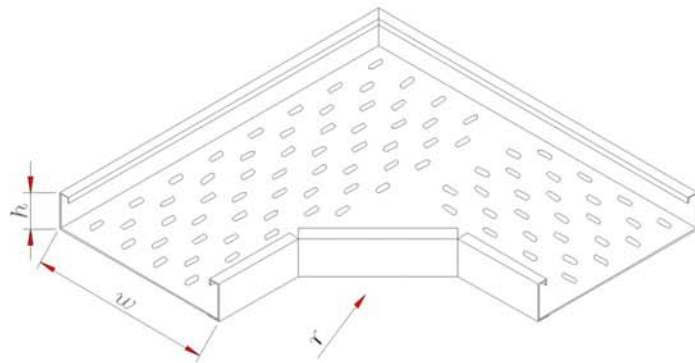
FTTSP/w-h-l-t-m



w	h	t	l	Design
50	40	2	1000	2.9
100	60	2	1000	4.4
150	60	2	1000	5.3
200	60	2	1000	6.2
300	60	2	1000	8.0
400	60	2	1000	9.7
450	60	2	1000	10.6
500	60	2	1000	11.5
600	60	2	1000	13.2

Cable Tray L type Horizontal Bend

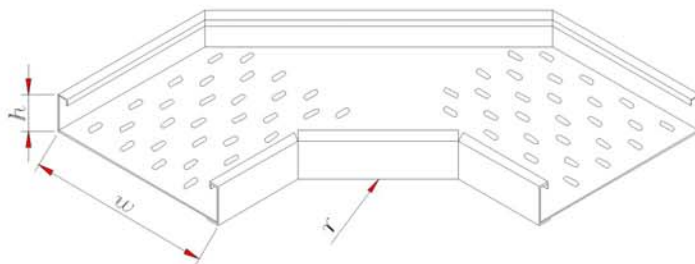
FTTCHB/w-h-r-t-m



w	h	t	Design
50	40	2	3.3
100	60	2	4.8
150	60	2	5.9
200	60	2	7.0
300	60	2	9.7
400	60	2	12.7
450	60	2	14.3
500	60	2	16
600	60	2	19.7

Cable Tray C type Horizontal Bend

FTTLHB/w-h-r-t-m



w	h	t	Design
50	40	2	3.0
100	60	2	4.3
150	60	2	5.3
200	60	2	6.3
300	60	2	8.7
400	60	2	11.4
450	60	2	12.9
500	60	2	14.4
600	60	2	17.7

FARAMIN TABLEAU CO.

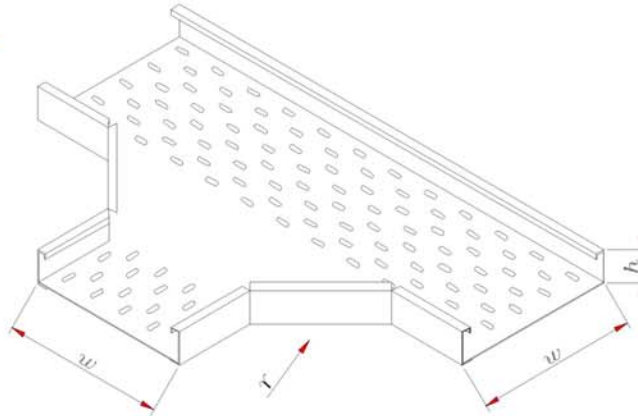
Cable Tray

Cable Tray Equal Tee

FTTET/w-h-r-t-m

Cable Tray Unequal Tee

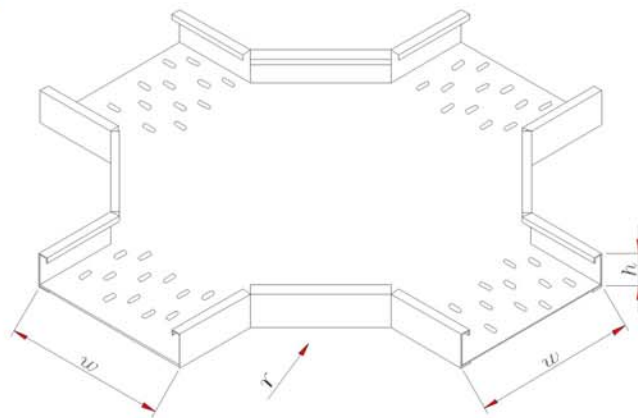
FTTUET/w-h-r-t-m



w	h	t	
50	40	2	5.6
100	60	2	7.6
150	60	2	9.0
200	60	2	10.5
300	60	2	13.8
400	60	2	17.4
450	60	2	19.3
500	60	2	21.3
600	60	2	25.6

Cable Tray Equal Cross

FTTEC/w-h-r-t-m



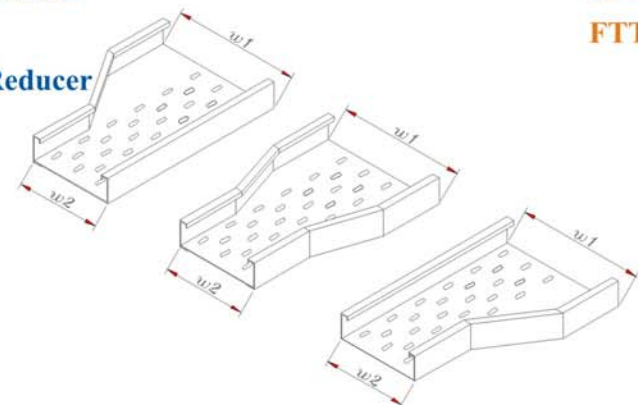
w	h	t	
50	40	2	7.2
100	60	2	9.4
150	60	2	10.7
200	60	2	12.2
300	60	2	15.3
400	60	2	18.7
450	60	2	20.6
500	60	2	22.5
600	60	2	26.7

Cable Tray Left Hand Reducer

FTTLR/w-h-t-m

Cable Tray Concentric Reducer

FTTCR/w-h-t-m



Cable Tray Right Hand Reducer

FTTRR/w-h-t-m

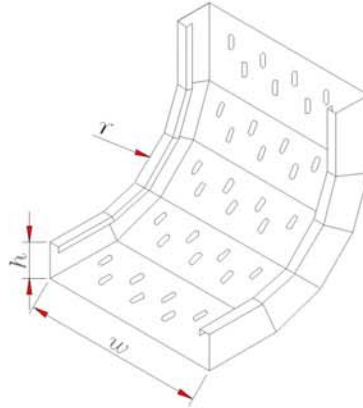
w1	w2	h	t	
200	100	60	2	3.4
300	200	60	2	4.4
450	300	60	2	5.7
600	450	60	2	7.2

FARAMIN TABLEAU CO.

Cable Tray

Cable Tray Inside Vertical Bend

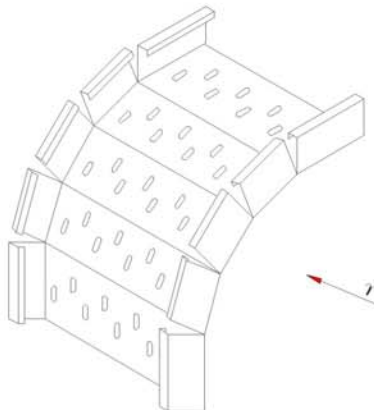
FTTIVB/w-h-r-t-m



w	h	t	Exgn
50	40	2	2.2
100	60	2	3.3
150	60	2	3.9
200	60	2	4.5
300	60	2	5.7
400	60	2	6.9
450	60	2	7.5
500	60	2	8.1
600	60	2	9.4

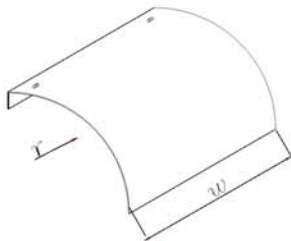
Cable Tray Outside Vertical Bend

FTTOVB/w-h-r-t-m

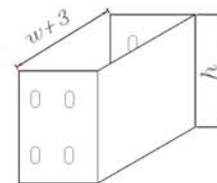


w	h	t	Exgn
50	40	2	2.3
100	60	2	3.5
150	60	2	4.2
200	60	2	4.8
300	60	2	6.1
400	60	2	7.4
450	60	2	8.1
500	60	2	8.7
600	60	2	10

Exit Plate



Protective End Cap



FARAMIN TABLEAU CO.



FARAMIN TABLEAU CO.



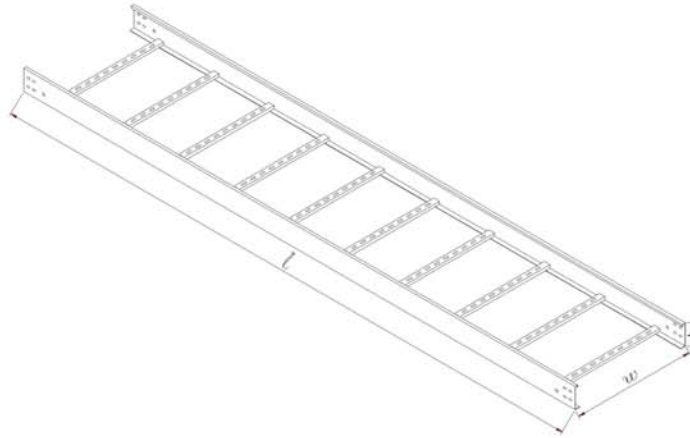
CABLE LADDER

Marun Petrochemical Company
Inter Connections Offsite Facilities

Cable Ladder Hot Dip Galvanized

Cable Ladder Straight Piece

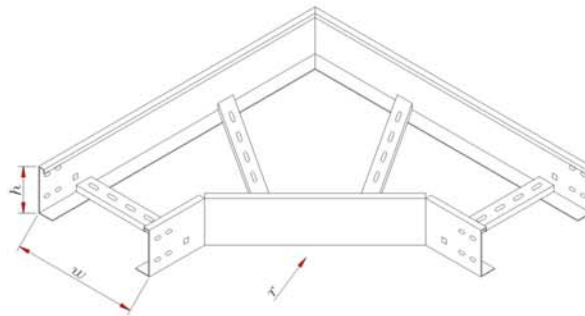
FTLSP/w-h-l-t-m



w	h	t	l	Exco
150	100	2	1000	5.6
200	100	2	1000	5.8
300	100	2	1000	6.1
400	100	2	1000	6.5
450	100	2	1000	6.7
500	100	2	1000	6.9
600	100	2	1000	7.3
700	100	2	1000	7.7
800	100	2	1000	8.1
900	100	2	1000	8.5

Cable Ladder L type Horizontal Bend

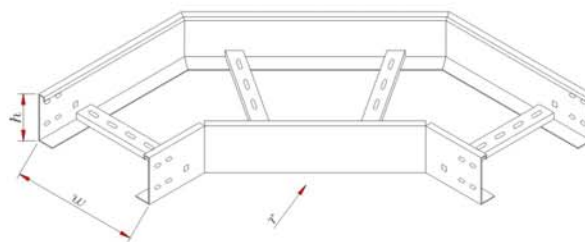
FTLCHB/w-h-r-t-m



w	h	t	Exco
150	100	2	5.7
200	100	2	6.2
300	100	2	7.3
400	100	2	8.3
450	100	2	9.7
500	100	2	10.3
600	100	2	11.5
700	100	2	12.8
800	100	2	14
900	100	2	15.3

Cable Ladder C type Horizontal Bend

FTLLHB/w-h-r-t-m



w	h	t	Exco
150	100	2	5.5
200	100	2	6
300	100	2	7.1
400	100	2	8.1
450	100	2	9.4
500	100	2	10
600	100	2	11.2
700	100	2	12.4
800	100	2	13.6
900	100	2	14.8

FARAMIN TABLEAU CO.

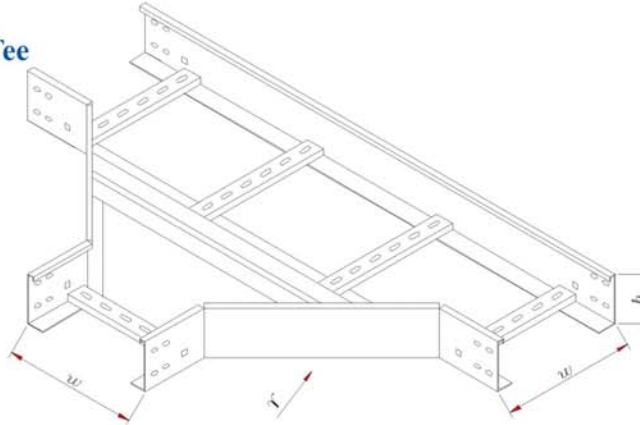
Cable Ladder Hot Dip Galvanized

Cable Ladder Equal Tee

FTLET/w-h-r-t-m

Cable Ladder Unequal Tee

FTLUET/w-h-r-t-m



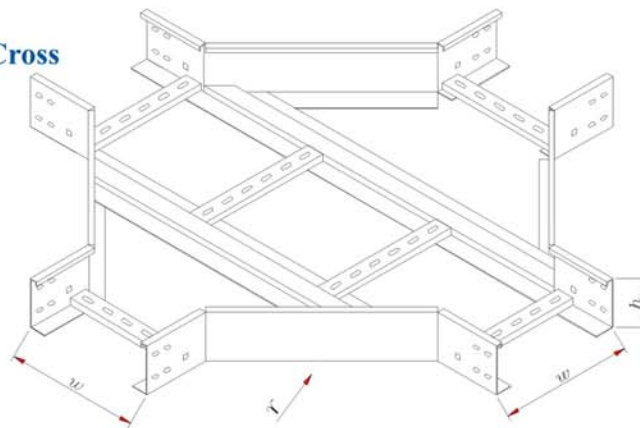
w	h	t	
150	100	2	8.5
200	100	2	9.0
300	100	2	10.1
400	100	2	11.6
450	100	2	12.2
500	100	2	12.8
600	100	2	13.9
700	100	2	15.9
800	100	2	17.2
900	100	2	18.5

Cable Ladder Equal Cross

FTLEC/w-h-r-t-m

Cable Ladder Unequal Cross

FTLUEC/w-h-r-t-m



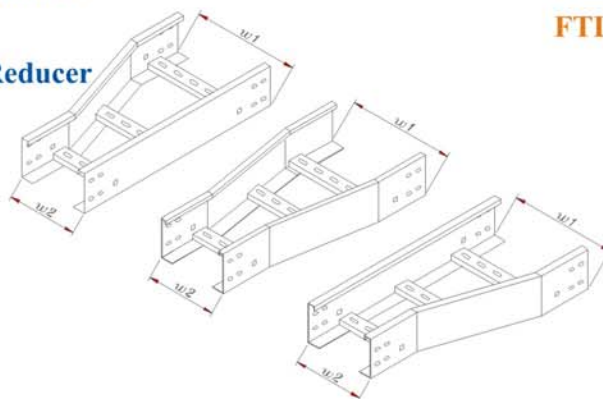
w	h	t	
150	100	2	11
200	100	2	11.6
300	100	2	12.8
400	100	2	14.4
450	100	2	15
500	100	2	15.7
600	100	2	16.9
700	100	2	19
800	100	2	20.4
900	100	2	21.8

Cable Ladder Left Hand Reducer

FTLLR/w-h-t-m

Cable Ladder Concentric Reducer

FTLCR/w-h-t-m



Cable Ladder Right Hand Reducer

FTLRR/w-h-t-m

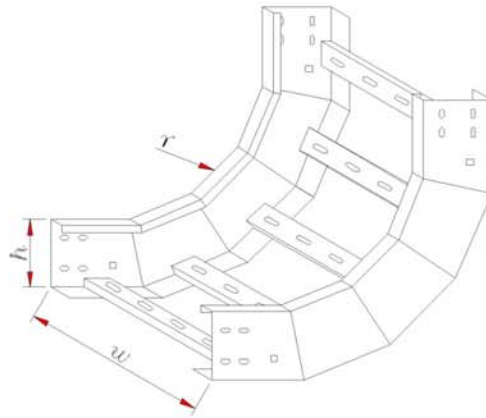
w1	w2	h	t	
200	150	100	2	3.6
300	200	100	2	3.9
450	300	100	2	4.3
600	450	100	2	4.8
900	600	100	2	5.6


FARAMIN TABLEAU CO.

Cable Ladder Hot Dip Galvanized

Cable Ladder Inside Vertical Bend

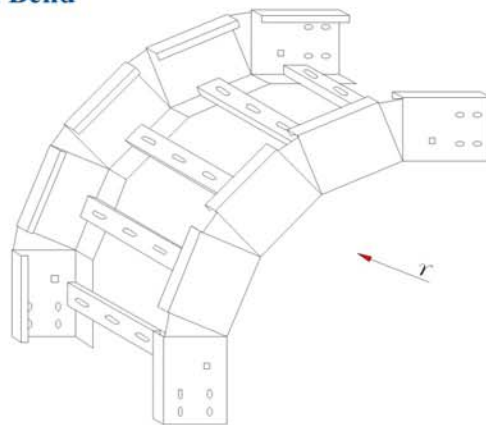
FTLIVB/w-h-r-t-m




w	h	t	
150	100	2	4.6
200	100	2	4.9
300	100	2	5.5
400	100	2	6.1
450	100	2	6.4
500	100	2	6.6
600	100	2	7.2
700	100	2	7.8
800	100	2	8.4
900	100	2	9.0

Cable Ladder Outside Vertical Bend

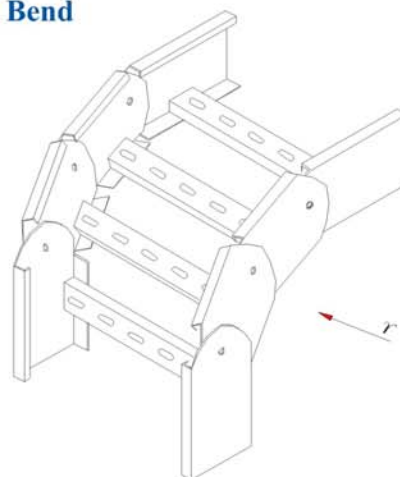
FTLOVB/w-h-r-t-m




w	h	t	
150	100	2	4.9
200	100	2	5.2
300	100	2	5.9
400	100	2	6.5
450	100	2	6.8
500	100	2	7.1
600	100	2	7.7
700	100	2	8.4
800	100	2	9.0
900	100	2	9.6

Cable Ladder Adjustable Vertical Bend

FTLAVB/w-h-r-t-m



w	h	t	
150	100	2	6.8
200	100	2	7.4
300	100	2	8.8
400	100	2	10.0
450	100	2	11.6
500	100	2	12.4
600	100	2	13.8
700	100	2	15.4
800	100	2	16.8
900	100	2	18.4

FARAMIN TABLEAU CO.



FARAMIN TABLEAU CO.

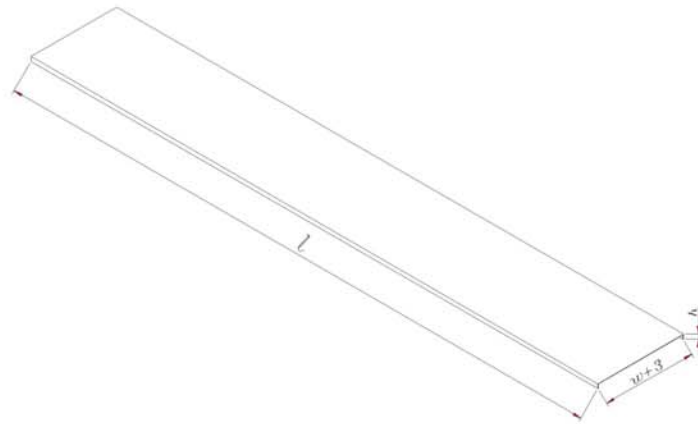



COVER (CABLE LADDER & CABLE TRAY)

Bouali Sina Petrochemical Company
3rd Aromatics Plant – Bandar Imam

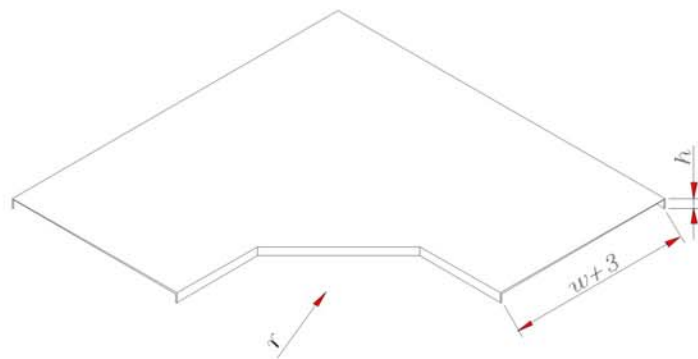
Cover (Cable Ladder & Tray)


Straight Piece Cover



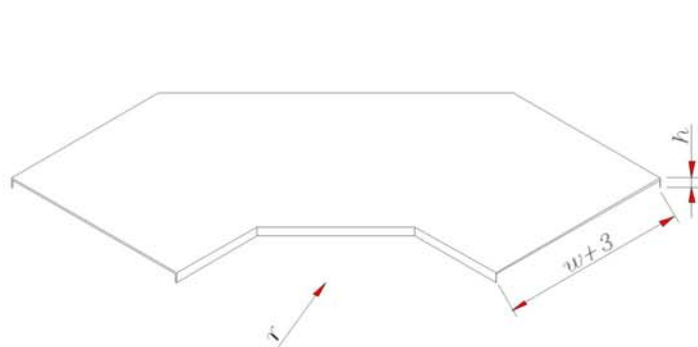
w	h	l	t	
50	15	1000	1.5	1.1
100	15	1000	1.5	1.8
150	15	1000	1.5	2.5
200	15	1000	1.5	3.1
300	15	1000	1.5	4.4
400	15	1000	1.5	5.8
450	15	1000	1.5	6.4
500	15	1000	1.5	7.1
600	15	1000	1.5	8.4
700	15	1000	1.5	9.7
800	15	1000	1.5	11
900	15	1000	1.5	12.4

L type Horizontal Bend Cover



w	h	t	
50	15	1.5	1.8
100	15	1.5	2.4
150	15	1.5	3.3
200	15	1.5	4.2
300	15	1.5	6.1
400	15	1.5	8.2
450	15	1.5	9.4
500	15	1.5	10.7
600	15	1.5	13.4
700	15	1.5	16.3
800	15	1.5	19.5
900	15	1.5	23

C type Horizontal Bend Cover

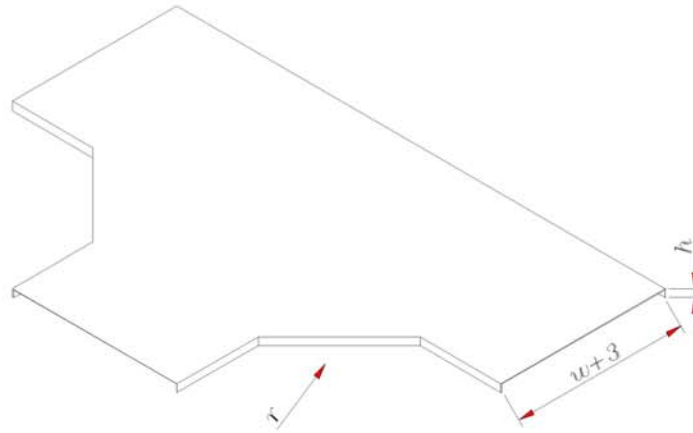


w	h	t	
50	15	1.5	1.6
100	15	1.5	2.2
150	15	1.5	3
200	15	1.5	3.8
300	15	1.5	5.5
400	15	1.5	7.4
450	15	1.5	8.5
500	15	1.5	9.6
600	15	1.5	12.1
700	15	1.5	14.7
800	15	1.5	17.6
900	15	1.5	20.7

FARAMIN TABLEAU CO.

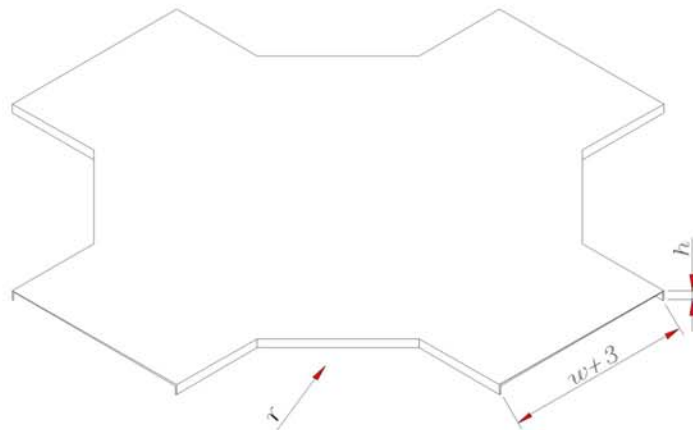
Cover (Cable Ladder & Tray)

Equal Tee Cover Unequal Tee Cover



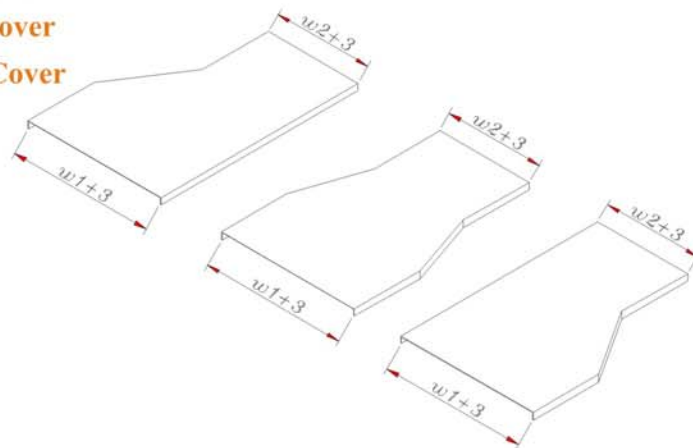
w	h	t	
50	15	1.5	2.9
100	15	1.5	3.9
150	15	1.5	5.2
200	15	1.5	6.3
300	15	1.5	8.8
400	15	1.5	11.5
450	15	1.5	13
500	15	1.5	14.5
600	15	1.5	17.7
700	15	1.5	21.3
800	15	1.5	25.1
900	15	1.5	29.1

Equal Cross Cover Unequal Cross Cover



w	h	t	
50	15	1.5	4.9
100	15	1.5	6.1
150	15	1.5	7.7
200	15	1.5	9.1
300	15	1.5	12.2
400	15	1.5	15.5
450	15	1.5	17.2
500	15	1.5	19.1
600	15	1.5	22.9
700	15	1.5	27
800	15	1.5	31.4
900	15	1.5	36

Left Hand Reducer Cover Concentric Reducer Cover Right Hand Reducer Cover

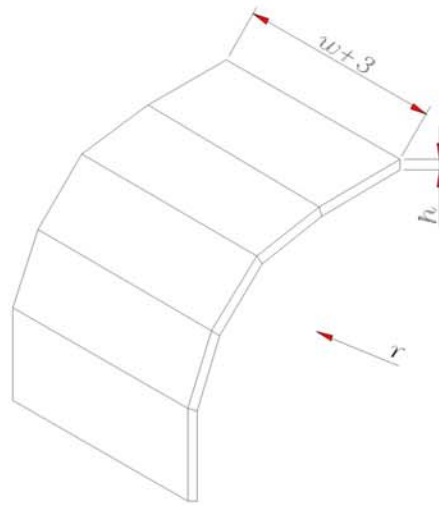


w1	w2	h	t	
200	100	15	1.5	1.5
200	150	15	1.5	1.7
300	200	15	1.5	2.4
450	300	15	1.5	3.6
600	450	15	1.5	4.8
900	600	15	1.5	6.9

FARAMIN TABLEAU CO.

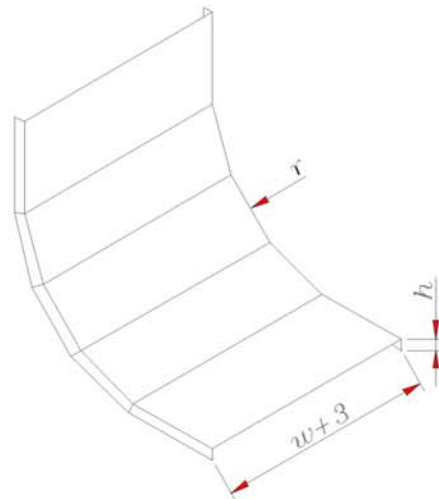
Cover (Cable Ladder & Tray)

Unequal Tee Cover



w	h	t	
50	15	1.5	0.9
100	15	1.5	1.5
150	15	1.5	2.3
200	15	1.5	2.9
300	15	1.5	4.1
400	15	1.5	5.4
450	15	1.5	6
500	15	1.5	6.6
600	15	1.5	7.8
700	15	1.5	9.1
800	15	1.5	10.3
900	15	1.5	11.5

Equal Cross Cover



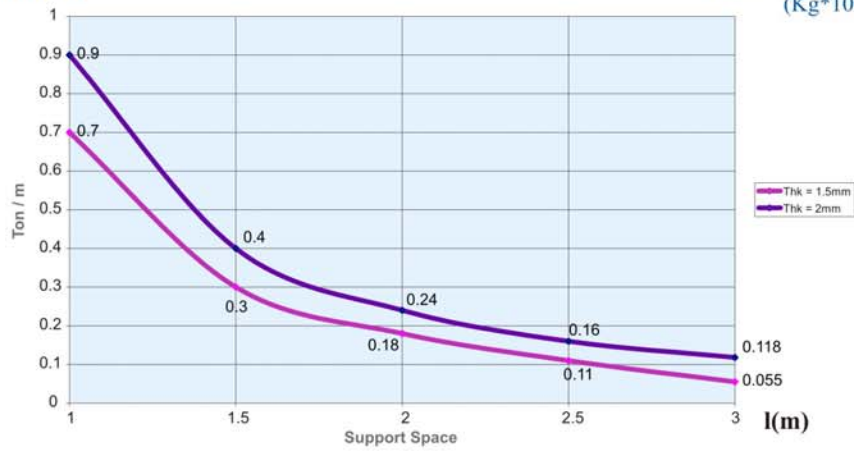
w	h	t	
50	15	1.5	0.9
100	15	1.5	1.4
150	15	1.5	2.2
200	15	1.5	2.7
300	15	1.5	3.9
400	15	1.5	5
450	15	1.5	5.6
500	15	1.5	6.2
600	15	1.5	7.3
700	15	1.5	8.5
800	15	1.5	9.6
900	15	1.5	10.8

FARAMIN TABLEAU CO.

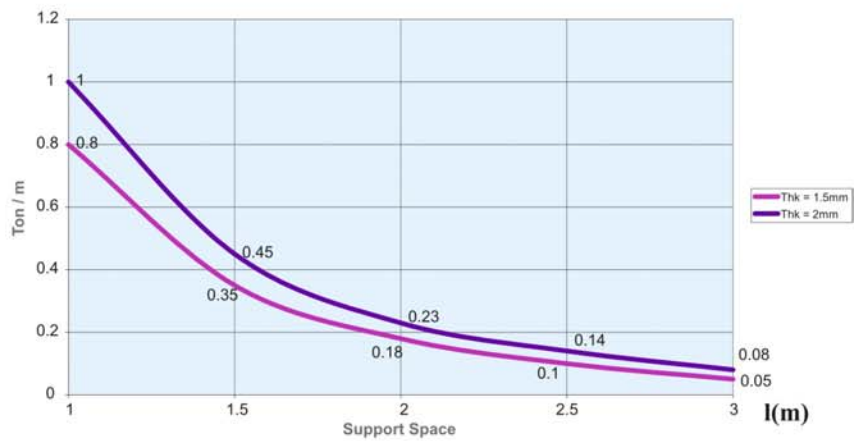
Deflection Curves

$l(m)$ = Distance Between Support
 $l/200$ = Max. Allowed Deflection
 Ton/m = Max. Load In Allowed Deflection
 (Kg*1000 / m)

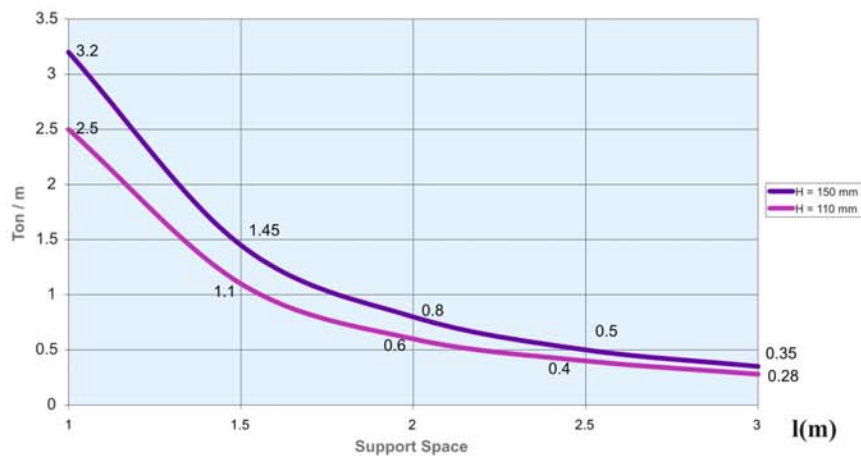
Cable Tray 100 - 300mm



Cable Tray 400 - 600mm



Cable Ladder 150 - 900mm



FARAMIN TABLEAU CO.

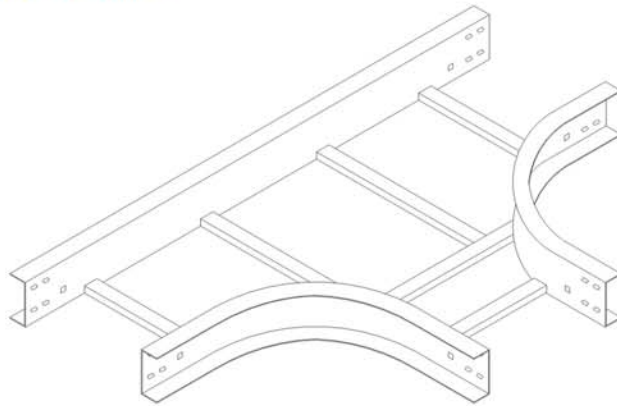
FARAMIN TABLEAU CO.



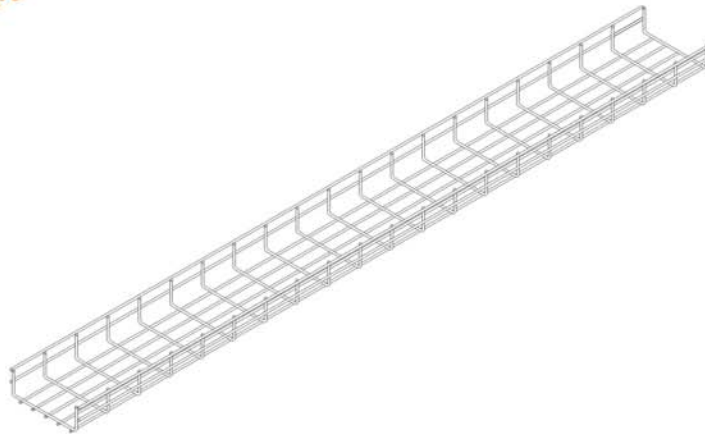
Future

FARAMIN TABLEAU CO.

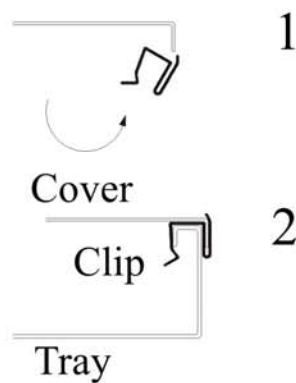
Curve Type Cable Ladder Accessories



Cable Tray Basket Type



New Cover Connection Clip



In This Time *Faramin Tableau* R&D Unit Will Be Work Out New Type of Cable Support System.

FARAMIN TABLEAU CO.